

a world class African city



TITLE	<b>SPECIFICATION FOR POLE MOUNTED CIRCUIT BREAKER COVER</b>	REFERENCE <b>CP_TSSPEC_276</b>	REV <b>1</b>
		DATE:	<b>MARCH 2019</b>
		PAGE:	<b>1 OF 13</b>

---

## TABLE OF CONTENTS

	Page
FOREWORD .....	2
INTRODUCTION .....	3
1 SCOPE.....	3
2 NORMATIVE REFERENCES .....	3
3 DEFINITIONS AND ABBREVIATIONS.....	3
4 REQUIREMENTS .....	3
4.1. General.....	3
5 MARKING, LABELLING AND PACKAGING .....	5
6 TRAINING .....	5
7 QUALITY MANAGEMENT .....	5
8 HEALTH AND SAFETY.....	6
9 ENVIRONMENTAL MANAGEMENT .....	6
Annex A – Bibliography.....	7
Annex B – Revision information.....	8
Annex C – ITEM 1: POLE MOUNTED CIRCUIT BREAKER COVER (LARGE) – SAP 4132.....	9
Annex C – ITEM 2: POLE MOUNTED CIRCUIT BREAKER COVER (SMALL) – SAP 4131 .....	11
Annex D – Stock Items.....	13

**FOREWORD**

Recommendations for corrections, additions or deletions should be addressed to the:

Technology Services Manager

City Power Johannesburg (Pty) Ltd

P O Box 38766

Booyens

2016

## **INTRODUCTION**

This guideline has been compiled to assist on procuring a pole mounted circuit breaker (PMCBC) used on overhead lines in City Power area of supply. These pole mounted circuit breaker covers was supplied, is no longer available from the supplier. These pole covers are still being used in City Power's electrical network, some pole covers are damaged due to old age and some are missing. These pole covers need to be replaced immediately with new ones to avoid future power outages.

## **1 SCOPE**

City Power requires these 2 pole mounted circuit breaker covers (PMCBC) to be replaced for maintenance and safety purposes as in Figure 1 and Figure 2 below. City Power requires a supplier to provide us with the replacement pole mounted circuit breaker covers that was used. The pole mounted circuit breaker cover shall fit the existing single and three phase pole mounted circuit breaker as per the drawing below and there is a sample for viewing. The new pole mounted circuit breaker cover shall have a nylon string attached to it which shall be attached to the base of the circuit breaker holder, to prevent the cover from being lost or misplaced. There shall be enough clearance between the cover and the base for the nylon string.

## **2 NORMATIVE REFERENCES**

The following documents contain provisions that, through reference in the text, constitute requirements of this checklist. At the time of publication, the editions indicated were valid. All standards and specifications are subject to revision, and parties to agreements based on this checklist are encouraged to investigate the possibility of applying the most recent editions of the documents listed below.

CP\_TSSPEC\_017: Specification for Miniature and Earth Leakage Circuit Breakers.

CP\_TSGUID\_012: Guideline for Pole Mounted Circuit Breaker Cover

## **3 DEFINITIONS AND ABBREVIATIONS**

The definitions and abbreviations in the above documents shall apply to this specification.

## **4 REQUIREMENTS**

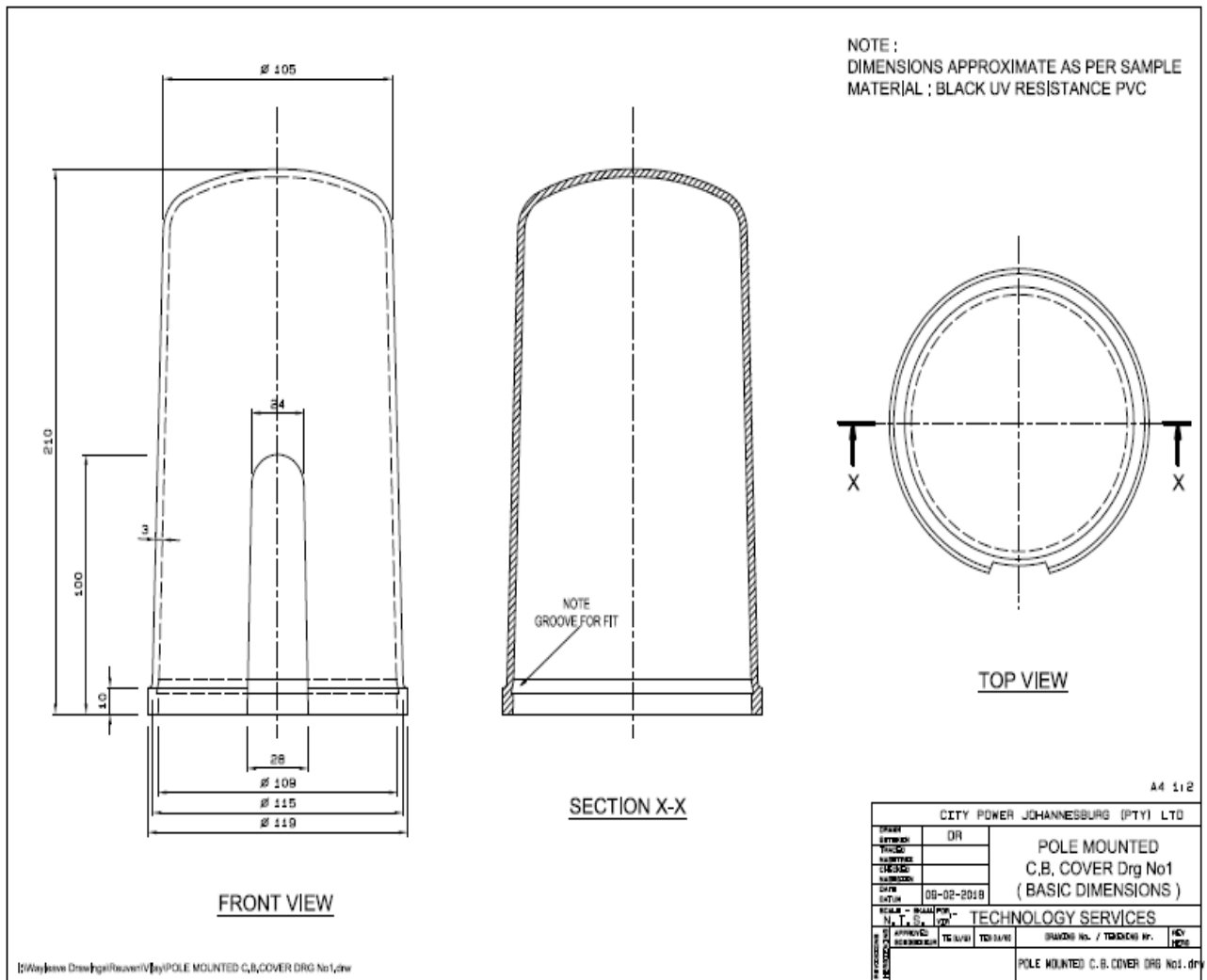
### **4.1. General**

- 4.1.1** The supplier shall provide a single phase or three phase pole mounted circuit breaker cover as per samples.
- 4.1.2** The pole mounted circuit breaker cover shall have ultra violet protection against sun and all weather conditions.
- 4.1.3** The material shall be able to with stand summer and winter temperatures.
- 4.1.4** The samples shall be available at Supply Chain Management (SCM) for viewing only.
- 4.1.5** A drawing is provided below and shall be used in conjunction with the sample.
- 4.1.6** The pole mounted circuit breaker cover material shall be able to withstand all types of weather which are hot, cold, rainy and sunny conditions.

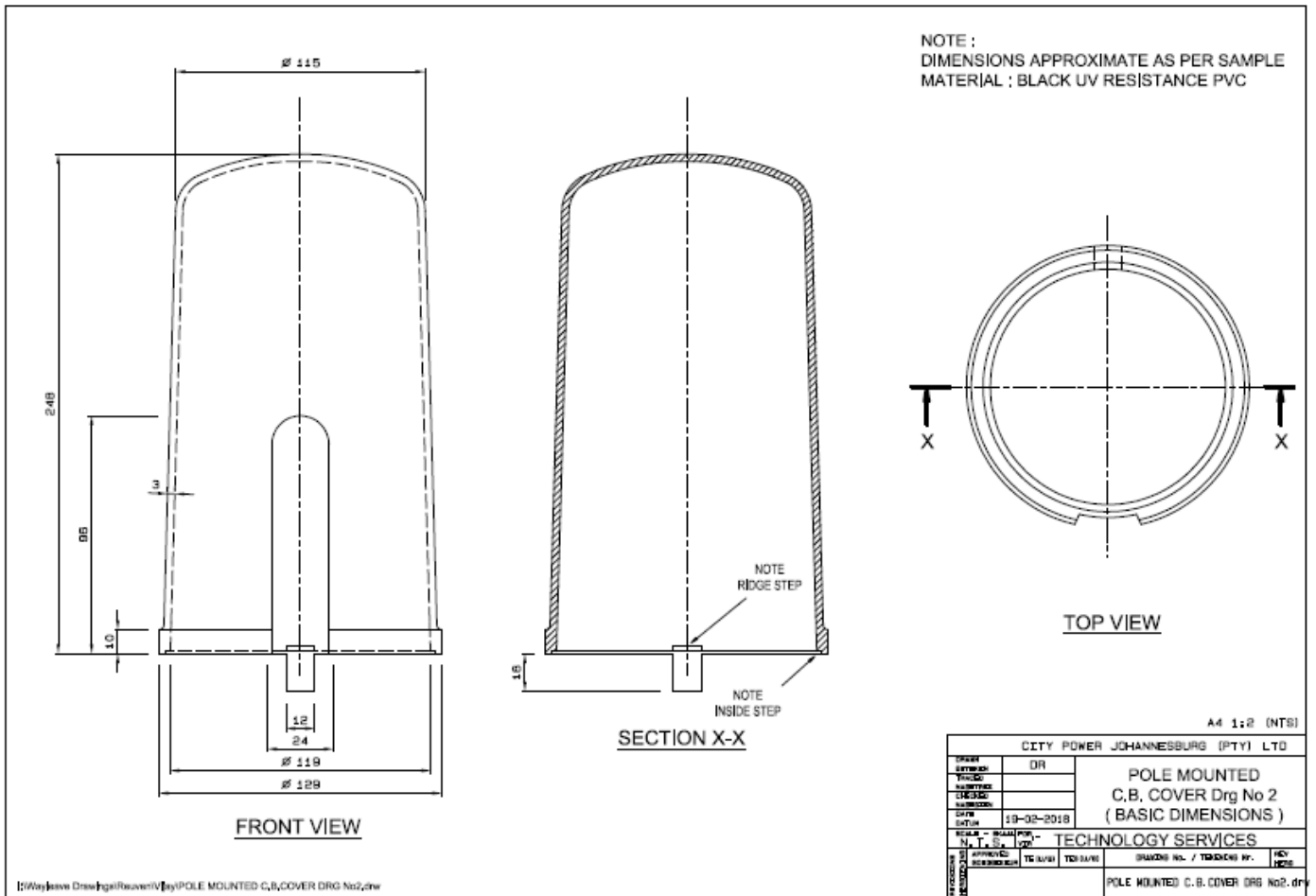
**SPECIFICATION FOR POLE MOUNTED  
CIRCUIT BREAKER COVER**

REFERENCE                      REV  
**CP\_TSSPEC\_276**                      **1**  
 PAGE                      4                      OF                      13

- 4.1.7 The pole mounted circuit breaker cover shall have a nylon string attached to it and shall be fastened to the existing base of the pole mounted cover on the pole bracket.
- 4.1.8 The nylon string shall be between 1mm and 2mm thick and be able to fasten onto the pole mounted circuit breaker cover and the circuit breaker base.
- 4.1.9 The drawings are not to scale and the sample shall be used for accuracy.
- 4.1.10 Figure 1 and Figure 2 below are the drawings for the 2 different size pole mounted circuit breaker covers.
- 4.1.11



**Figure 1: Drawing of pole mounted circuit breaker cover (Small)**



**Figure 2: Drawing of pole mounted circuit breaker cover (Large)**

## 5 MARKING, LABELLING AND PACKAGING

- 5.1 The PMCBC shall be packed in such a way that the PMCBC shall not get stuck into each other and that they shall not be damaged during transportation.
- 5.2 Packaging shall prevent damage or deterioration of the product during transport, handling and storage.
- 5.3 The box shall be labelled with the contract number, City Power SAP number, supplier name, and basic details.

## 6 TRAINING

- 8.1. A necessary certified training course shall be offered to relevant City Power staff. The training shall include handling, storage and installation of pole mounted circuit breaker covers.
- 8.2. The associated costs for the certified training course in 8.1 shall be given per person and shall be fixed for the period of the contract.

## 7 QUALITY MANAGEMENT

A Quality Management Plan/System shall be set up in order to assure the quality of pole mounted circuit breaker cover during design, development, production and servicing. Guidance on the requirements for a quality management system may be found in the following standards: ISO 9001:2015. The details shall be subject to agreement between the City Power and Supplier/Contractor.

**8 HEALTH AND SAFETY**

A Health and Safety Plan/System shall be set up in order to ensure proper management and compliance of the pole mounted circuit breaker cover during installation, operation, maintenance, and decommissioning phase/s. Guidance on the requirements of a Health and Safety Plan/System may be found in OHSAS 18001:2007 standards. This is to ensure that the asset/service conforms to standard operating procedures and City Power SHERQ Policy. The details shall be subject to agreement between City Power and the Supplier/Contractor.

**9 ENVIRONMENTAL MANAGEMENT**

An Environmental Management Plan/System shall be set up in order to ensure the proper environmental management and compliance of the of pole mounted circuit breaker covers during their entire life cycle (i.e. during design, development, production, installation, operation and maintenance, decommissioning as well as Rehabilitation, Recycling or Disposal phase/s). Guidance on the requirements for an environmental management plan/system may be found in ISO 14001:2015 standards. The details shall be subject to agreement between City Power and the Supplier. This is to ensure that the asset created conforms to environmental standards and City Power SHERQ Policy

**Annex A – Bibliography**

None

**Annex B – Revision information**

<b>DATE</b>	<b>REV. NO.</b>	<b>NOTES</b>
Oct 2018	0	First issue
March	1	Second issue Removed CBi name



**Annex C – ITEM 1: POLE MOUNTED CIRCUIT BREAKER COVER  
(LARGE) – SAP 4132**

**Schedule A: Purchaser's specific requirements**

**Schedule B: Guarantees and technical particulars of equipment offered**

Item	Sub-clause of CP_TSSPEC 267	Description	Schedule A	Schedule B
1		Name of Manufacturer	xxxx	
2		Colour of PMCBC	xxxx	
3		Type of material used	xxxx	
4		Ultra violet resistance to all weathers	xxxx	
5		Sample viewed	Yes/No	
6		Nylon string colour	xxxx	
7		Thickness of nylon string	1-2mm	
8		Dimensions as per drawing	Yes/No	

**NOTE: TICKS [✓✗], ASTERISK [\*], WORD [NOTED], OR TBA [TO BE ADVISED] WILL NOT BE ACCEPTED.**

Tender Number: \_\_\_\_\_

Tenderer's Authorised Signatory: \_\_\_\_\_  
Name in block letters                      Signature

Full name of company: \_\_\_\_\_

---

**ITEM 1: POLE MOUNTED CIRCUIT BREAKER (LARGE) – SAP 4132**

**Deviation schedule**

**Any deviations offered to this specification shall be listed below with reasons for deviation. In addition, evidence shall be provided that the proposed deviation will at least be more cost-effective than that specified by City Power.**

Item	Sub clause of TSSPEC_276	Proposed deviation

Tender Number: \_\_\_\_\_

Tenderer's Authorised Signatory: \_\_\_\_\_  
Name in block letters                      Signature

Full name of company: \_\_\_\_\_

**Annex C – ITEM 2: POLE MOUNTED CIRCUIT BREAKER COVER (SMALL)  
– SAP 4131**

**Schedule A: Purchaser's specific requirements**

**Schedule B: Guarantees and technical particulars of equipment offered**

Item	Sub-clause	Description	Schedule A	Schedule B
1		Name of manufacturer	xxxx	
2		Colour of PMCBC	xxxx	
3		Type of material used	xxxx	
4		Ultra violet resistance to weather	xxxx	
5		Sample viewed	Yes/No	
6		Nylon string colour	xxxx	
7		Thickness of nylon string	1-2mm	
8		Dimensions as per drawing	Yes/No	

**NOTE: TICKS [✓✗], ASTERISK [\*], WORD [NOTED], OR TBA [TO BE ADVISED] WILL NOT BE ACCEPTED.**

Tender Number: \_\_\_\_\_

Tenderer's Authorised Signatory: \_\_\_\_\_  
Name in block letters                      Signature

Full name of company: \_\_\_\_\_

**ITEM 2: POLE MOUNTED CIRCUIT BREAKER COVER (SMALL) – SAP  
4131**

**Deviation schedule**

**Any deviations offered to this specification shall be listed below with reasons for deviation. In addition, evidence shall be provided that the proposed deviation will at least be more cost-effective than that specified by City Power.**

Item	Subclause of	Proposed deviation

Tender Number: \_\_\_\_\_

Tenderer's Authorised Signatory: \_\_\_\_\_  
Name in block letters                      Signature

Full name of company: \_\_\_\_\_

**Annex D – Stock Items**

**Material Group: NET-ACCS**

<b>Item</b>	<b>SAP No.</b>	<b>SAP Short Description</b>	<b>SAP Long Description</b>
1	4131	POLE MOUNTED CIRCUIT BREAKER COVER (SMALL)	.POLE MOUNTED CIRCUIT BREAKER COVER (SMALL) FOR OHS ITEM SPECIFICATION NO. CP_TSSPEC_276
2	4132	POLE MOUNTED CIRCUIT BREAKER COVER (LARGE)	.POLE MOUNTED CIRCUIT BREAKER COVER (LARGE) FOR OHS ITEM SPECIFICATION NO. CP_TSSPEC_276